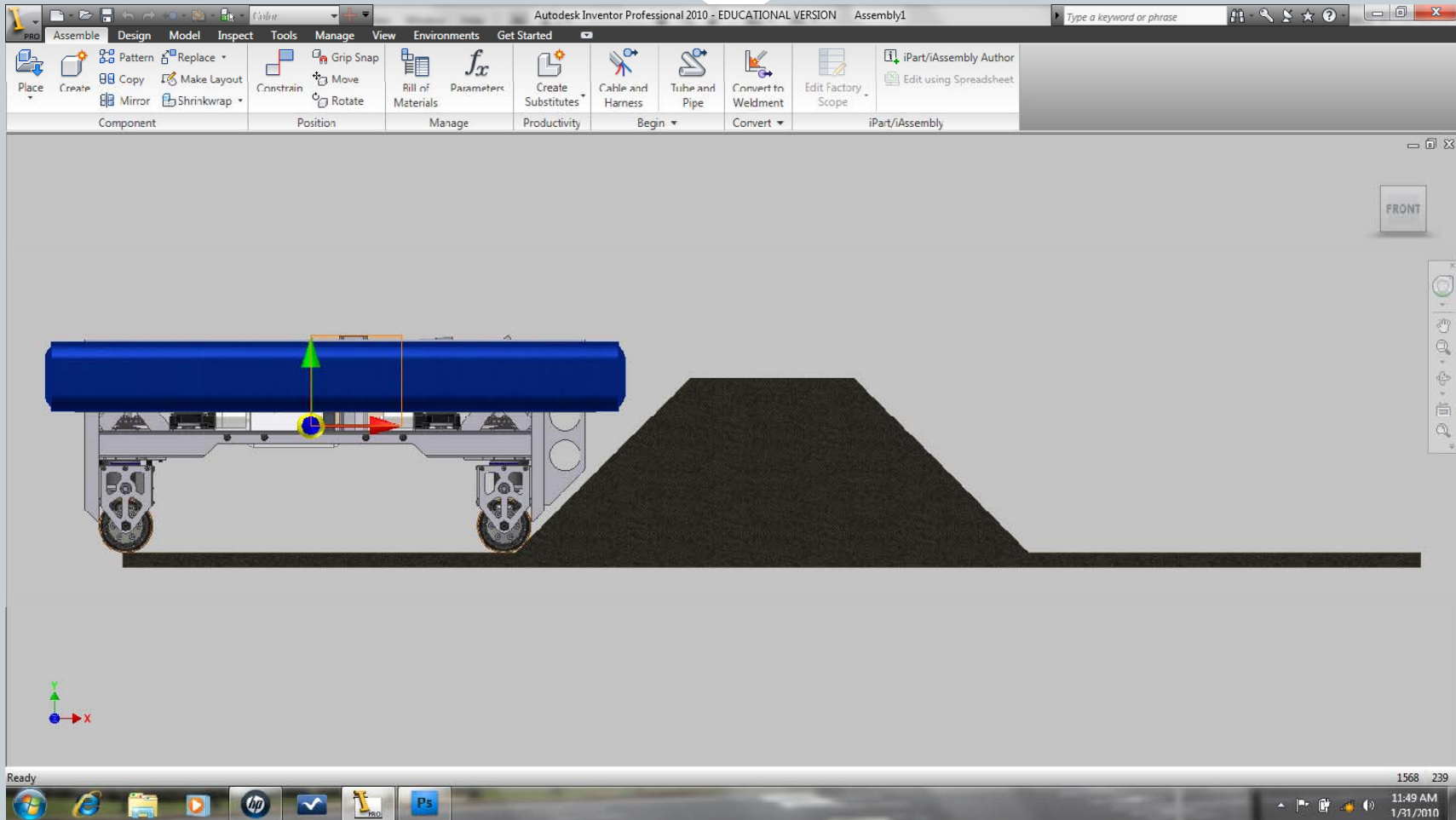


# Over the Hump (portrait)

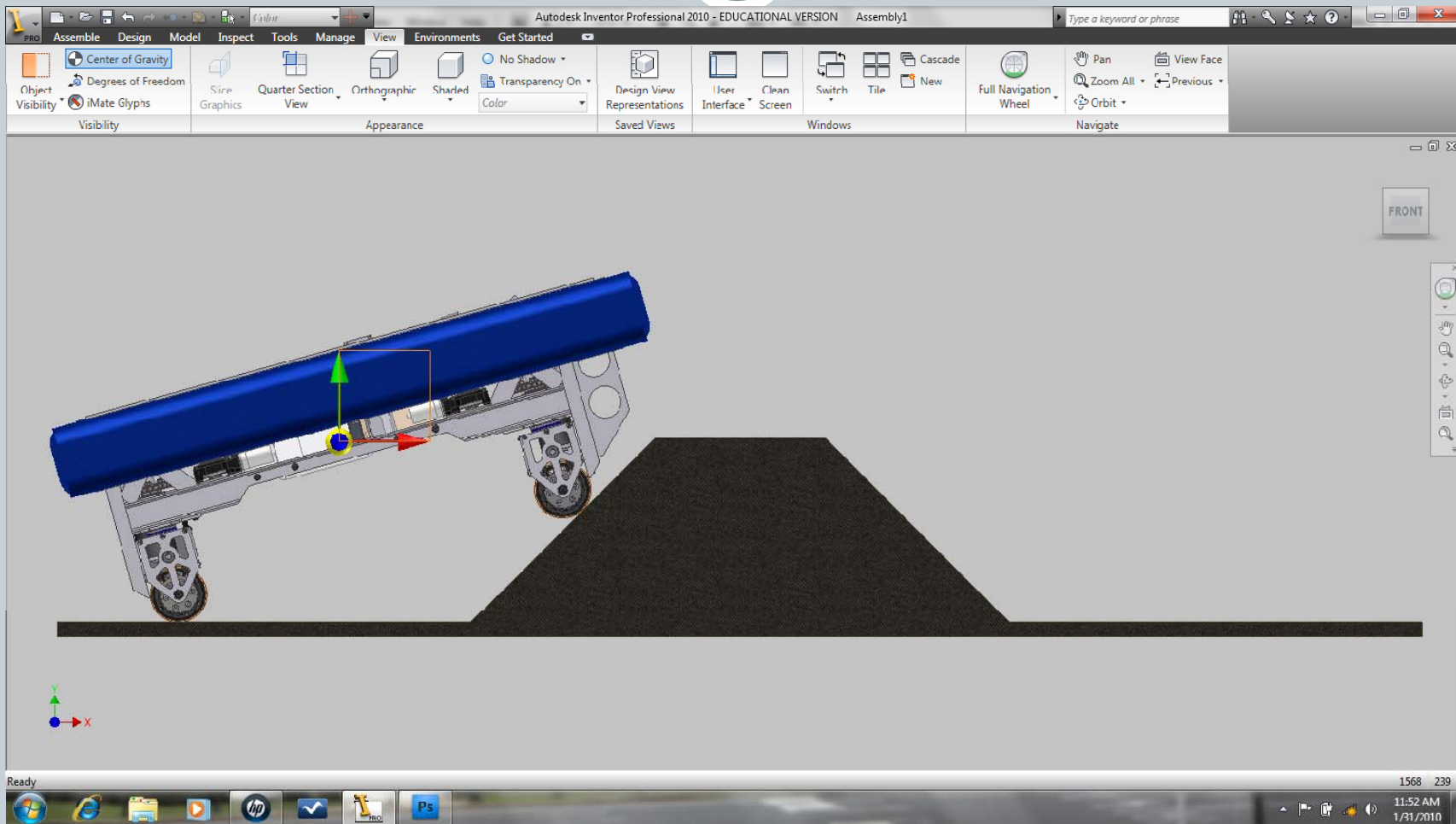


**DEWBOT VI CHASSIS CROSSING  
*BREAKAWAY'S* BUMP WITH  
CENTER-OF-MASS  
INDICATED**

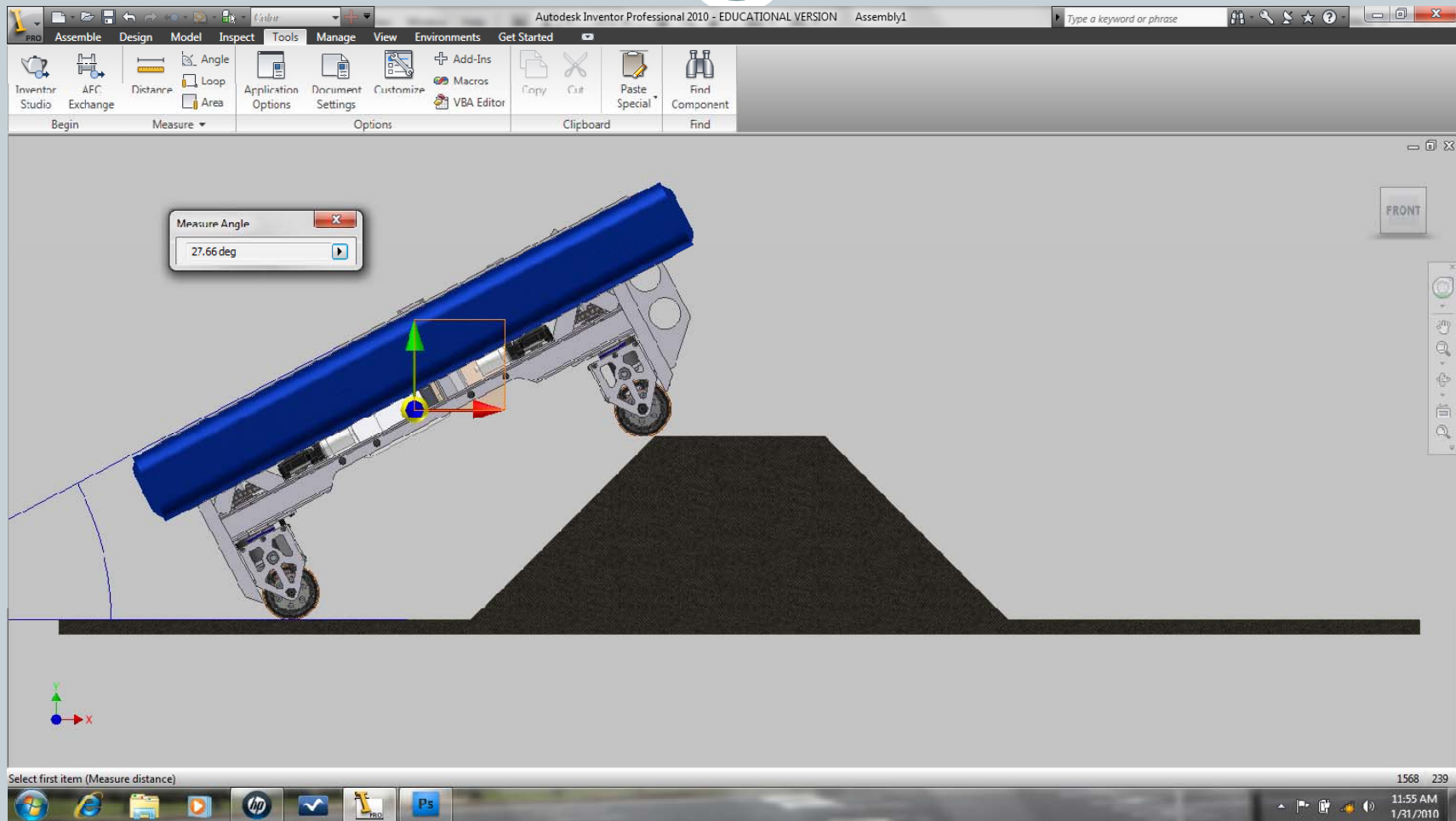
# 1) 1<sup>ST</sup> CONTACT



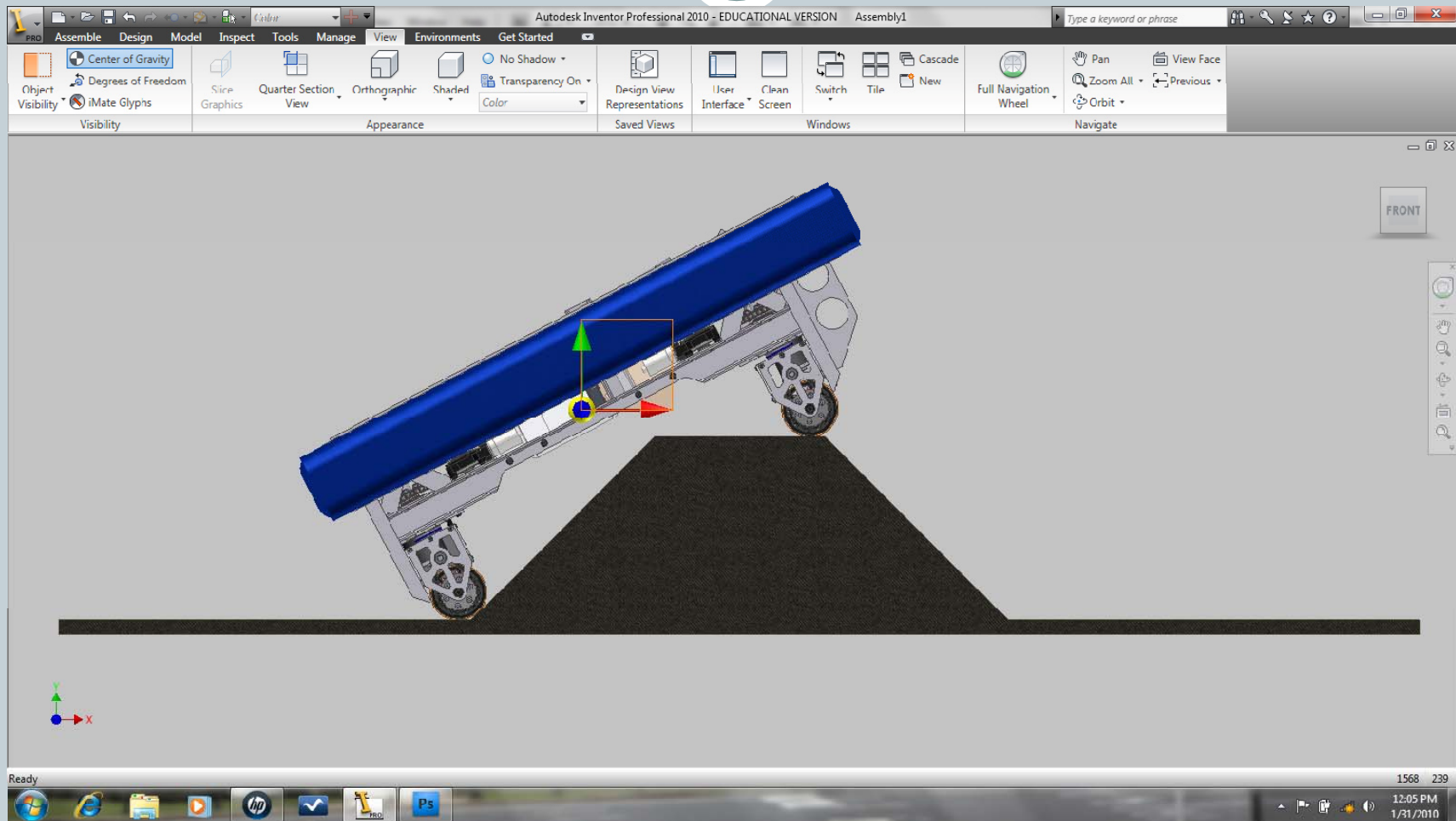
## 2) STARTING THE CLIMB



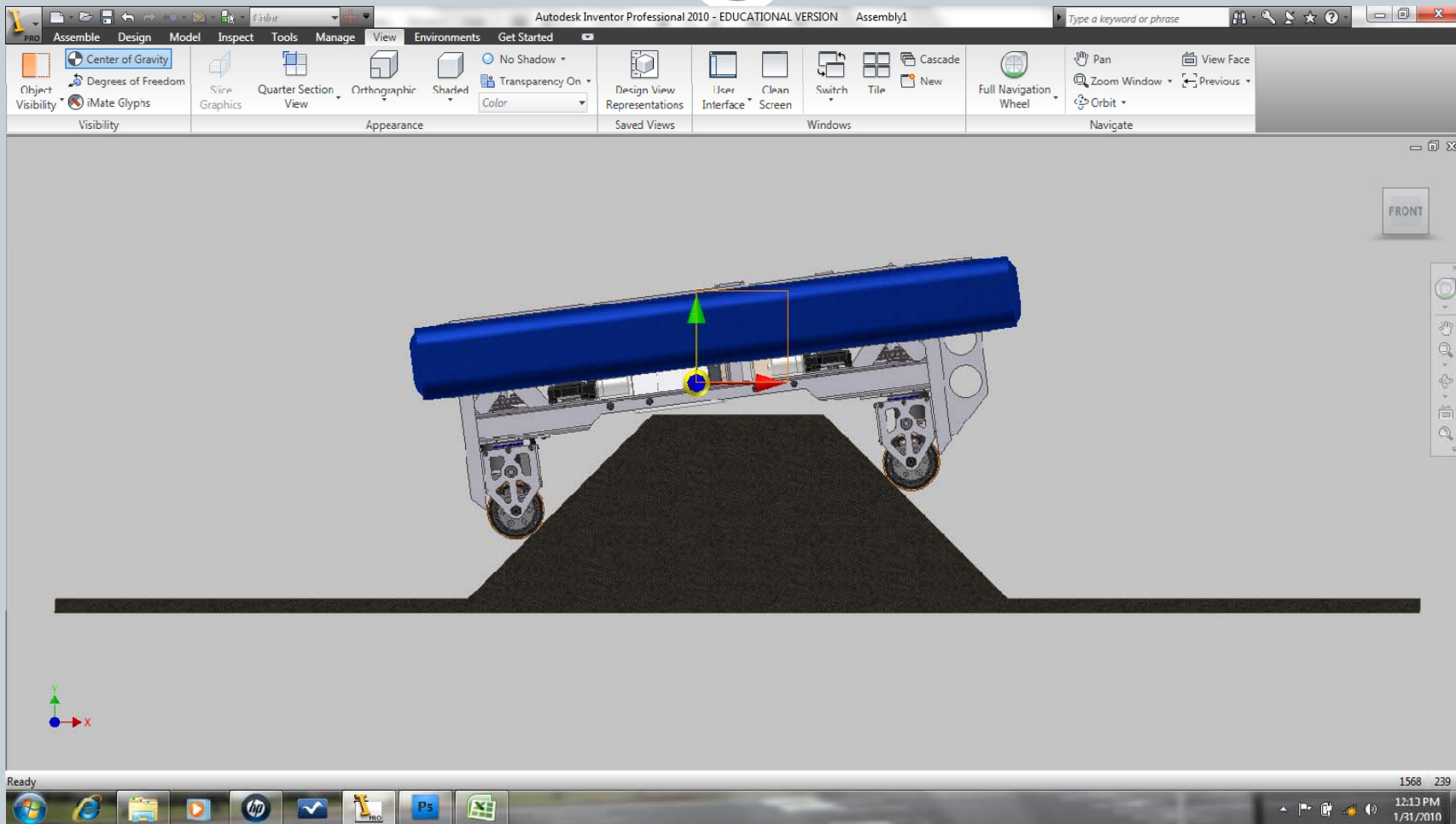
# 3) MAXIMUM ANGLE



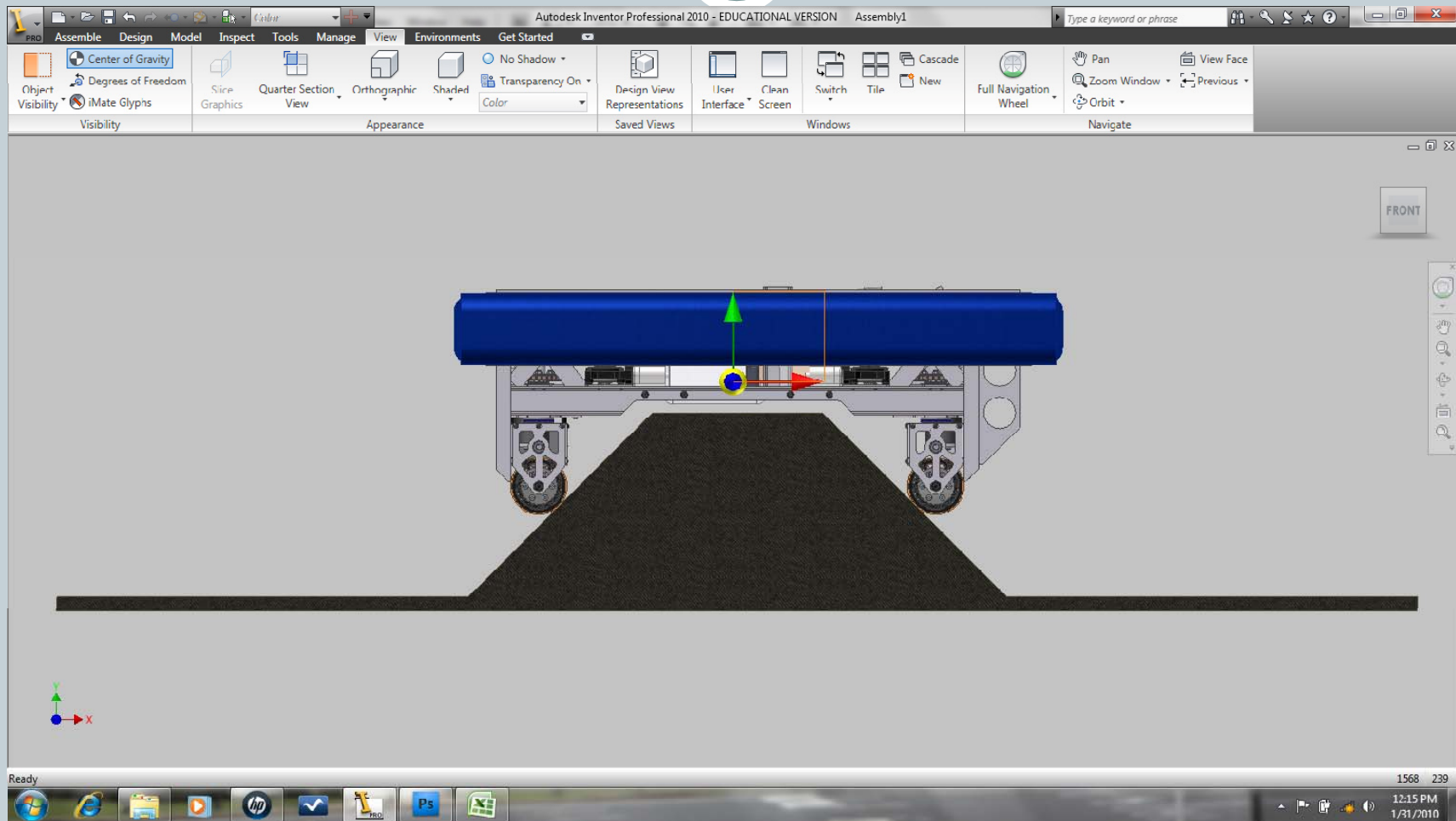
# 4) HARDEST CLIMB



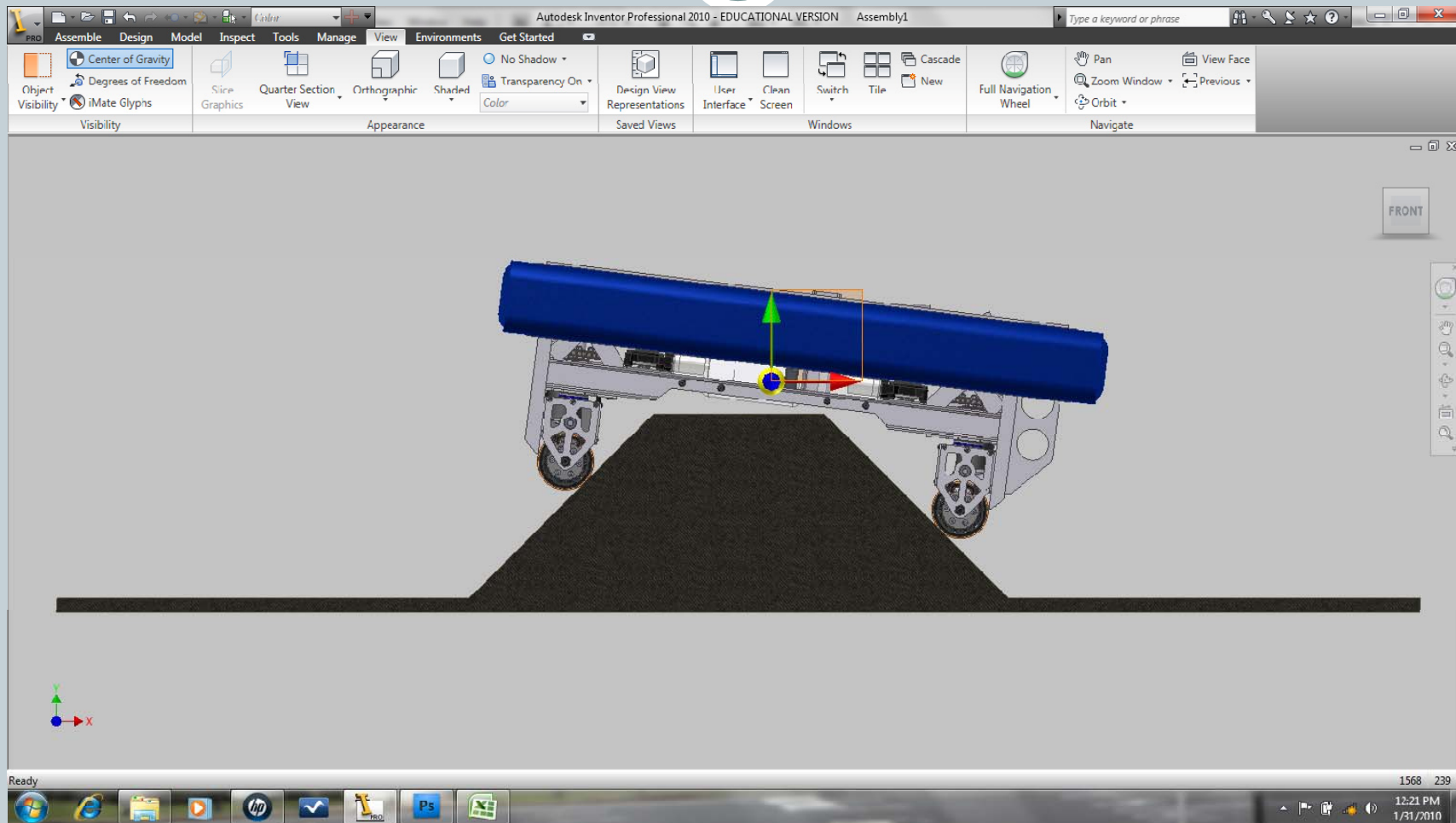
# 5) CLOSEST APPROACH



# 6) STRADDLE

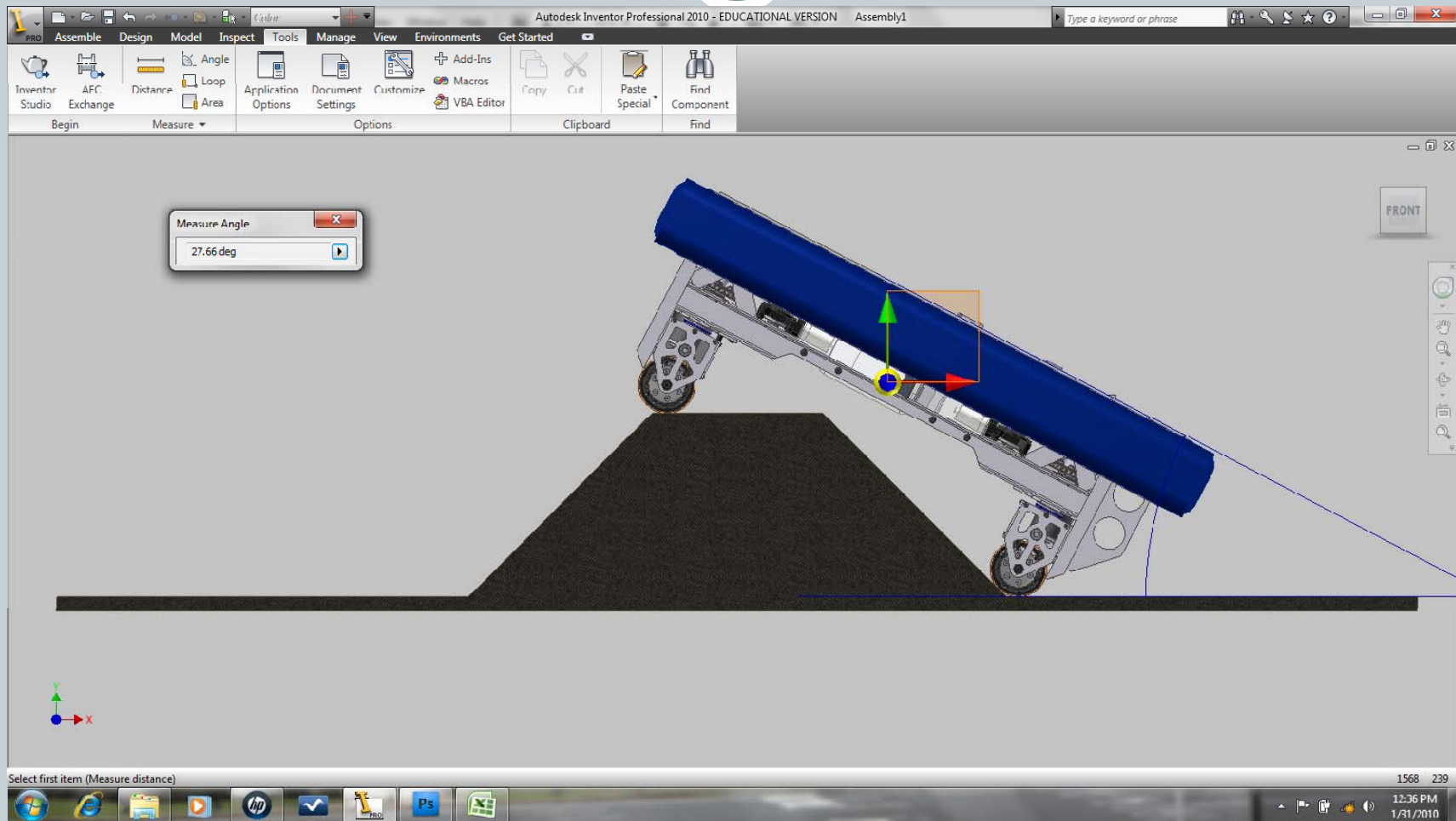


# 7) CLOSEST APPROACH





# 8) FRONT LANDING



# 9) IT'S ALL DOWN-HILL FROM HERE...

